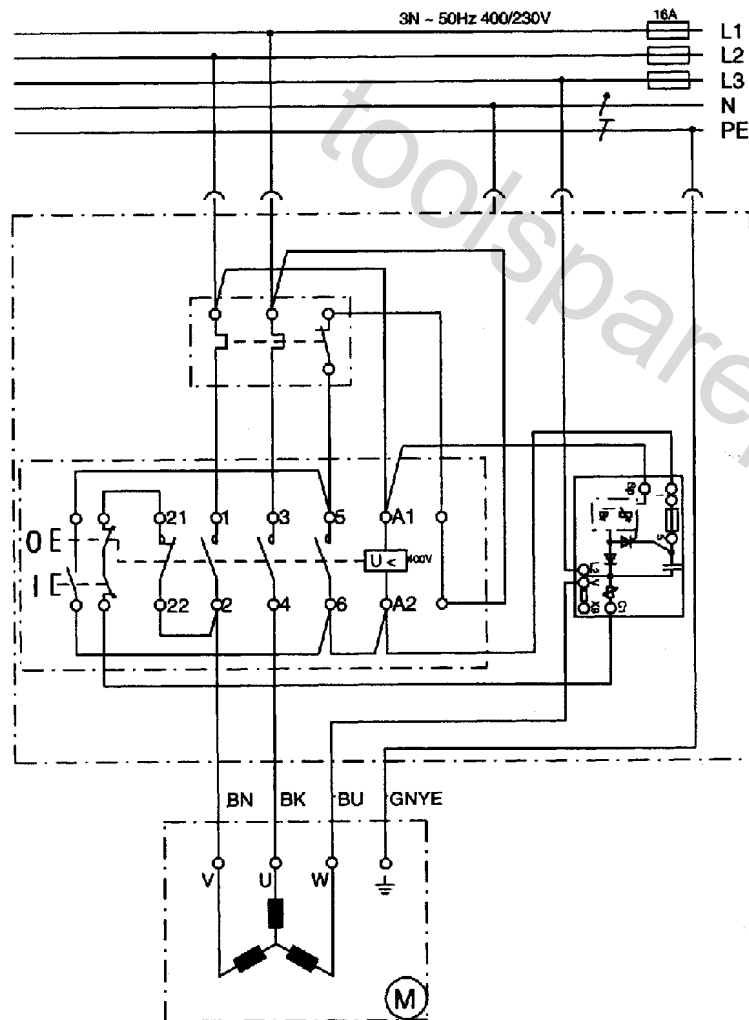


Position	Amount	Type number	Description	PG
1	1	6103027770	HEXAGON HEAD SCREW M 12X40 VERZ.	10
2	1	1385683371	WASHER 40X12X4 BW600/ET	19
3	1	1380683365	BLADE COLLAR, OUTER BW600/ET	32
5	1	1380683357	BLADE COLLAR BW600/ET	36
6	1	1382684202	COVER PLATE BL 1,50X892,5X896,5 BW600-NE	47
9	1	6103618817	HEXAGON HEAD SCRE M 10X80 VERZ.	14
10	1	1382682463	U-BLECH BW600	23
11	2	6300016705	Washer	10
12	1	6200017992	HEXAGON NUT	10
13	1	6202002313	HEXAGON NUT, PREV. TORQUE TYPE	10
14	2	1381681609	INLAY STRIP 2,00X22X496 BW600	24
16	6	2391202772	GLIDE PIECE	10
21	1	1010681665	SPRING GUIDE BW 600 GEPULVERT	31
22	1	7051682496	PRESSURE SPRING 4X32X120 BW600	25
23	2	7016026551	STARLOCK WITH CAP RD 20	13
24	2	7270035781	WHEEL, SOLID RUBBER RD 250/60 NABE 20X63	29
25	10	6103001178	Hex head screw	10
26	4	141151340	Washer	10
27	2	1482407486	ANGLE BRACKET, ROCKER BEARING BL 2,99X14	15
29	10	6209110995	Flange nut	10
30	2	1482407753	ROCKER RETAINER BL 2,00X33X80	12
31	4	6103001127	Hex head screw	10
32	4	6209114230	Flange nut	10
33	4	6103001259	HEXAGON HEAD SCREW M 10X40 VERZ.	10
34	4	6301002554	SPRING LOCK WASHER B 10 VERZ.	10
35	4	6209675984	FLANGE NUT M 10 VERZ./VERZÄHNUNGS-AUF	10
36	2	6300087696	MEDIUM WASHER	10
37	1	1332036064	SWITCH PLATE BL 1,5X108X216 Z-FÖRMIG	17
38	1	8132681199	SWITCH SSK DNB UC400V M=6,0A PHW K900VB/	54
39	1	8013681202	ELECTRIC MOTOR 400/3/50 1500UPM	63
40	1	1010683269	MOTOR, LOG CUTTING SAW BW 4,20 DNB 400/	64
41	1	1492102829	Key	20
42	1	9101683254	OPEN END SPANNER SW 34	20



	Litzenfarben	Colour of strands	Couleur des cordons
BK	schwarz	black	noir
WH	weiß	white	blanc
BU	blau	blue	bleu
YE	gelb	yellow	jaune
RD	rot	red	rouge
TR	transparent	transparent	transparent
BN	braun	brown	brun
GY	grau	grey	gris
GNYE	grün-gelb	green-yellow	vert-jaune
BKWH	schwarz-weiß	black-white	noir-blanc
GN	grün	green	vert
OG	orange	orange	orange
VT	violett	violet	violet
TQ	türkis	turquoise	turquoise

	Bedeutung der Kurzzeichen	Meaning of the symbols	Interprétation des symboles
C	Kondensator	condenser	condensateur
D	Funkentstördrossel	interference suppression inductance	inductance d'antiparasitage
E	Elektronik-Baustein	electronic unit	unité électronique
I	Induktionsspule	induction coil	bobine d'inductance
K	Klemme	terminal	borne
L	Licht	light	lumière
M	Motor	motor	moteur
O	Überlastschutz	overload cut-out	déclencheur de surintensité
R	Drehrichtungsumschalter	reversing switch	commutateur droite-gauche
S	Schalter	switch	interrupteur
U	Umschalter	change-over switch	commutateur
X	Elektronik-Element	electronic element	élément électronique